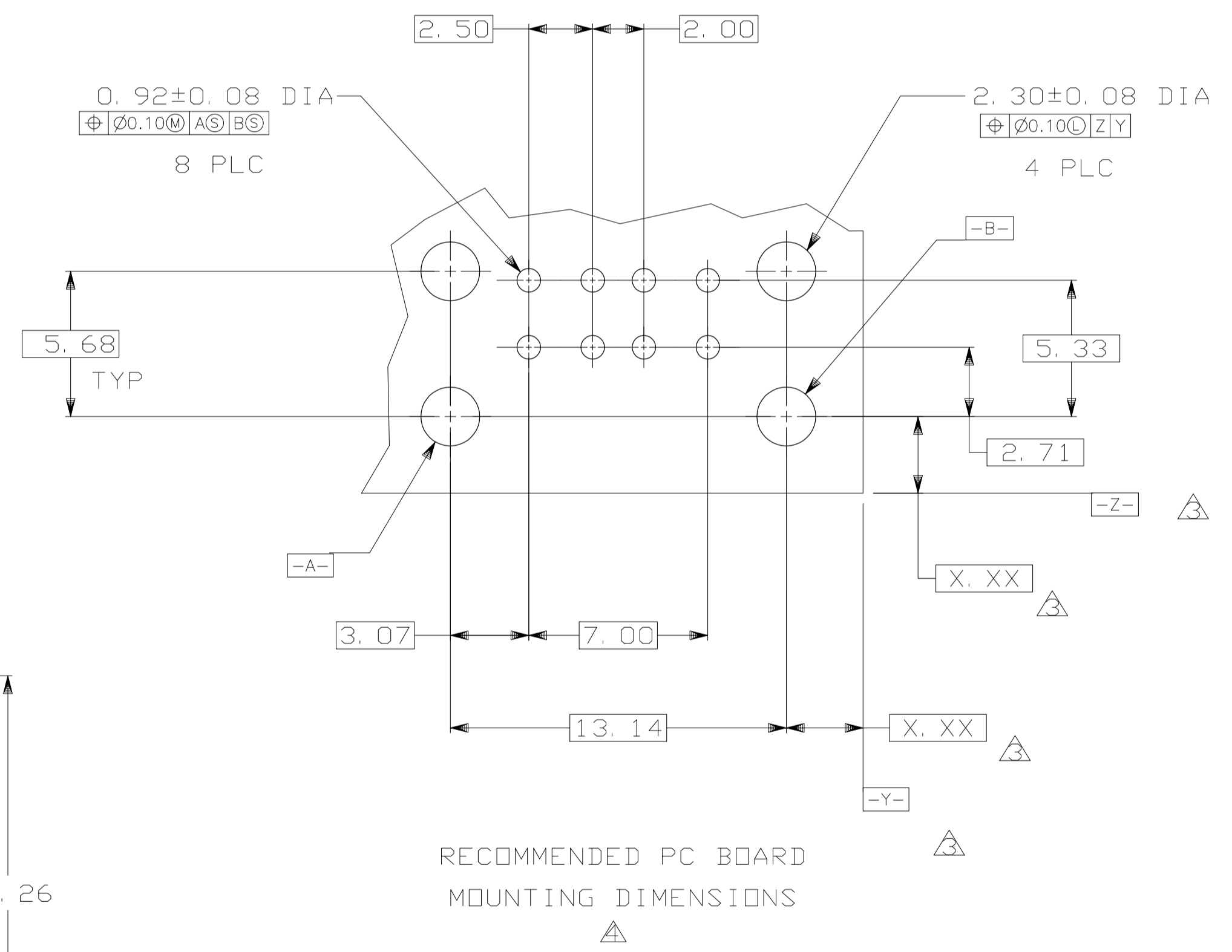
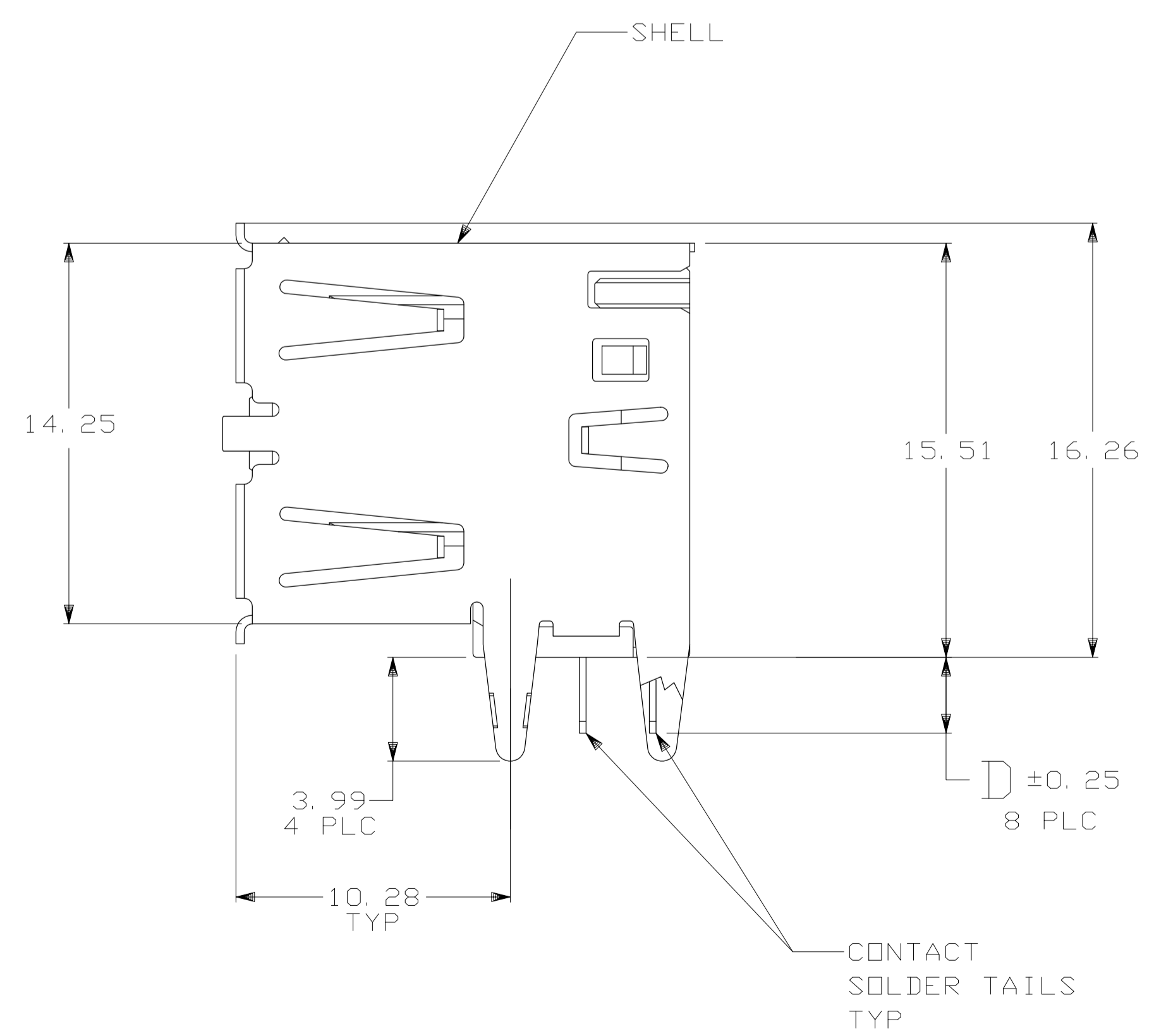
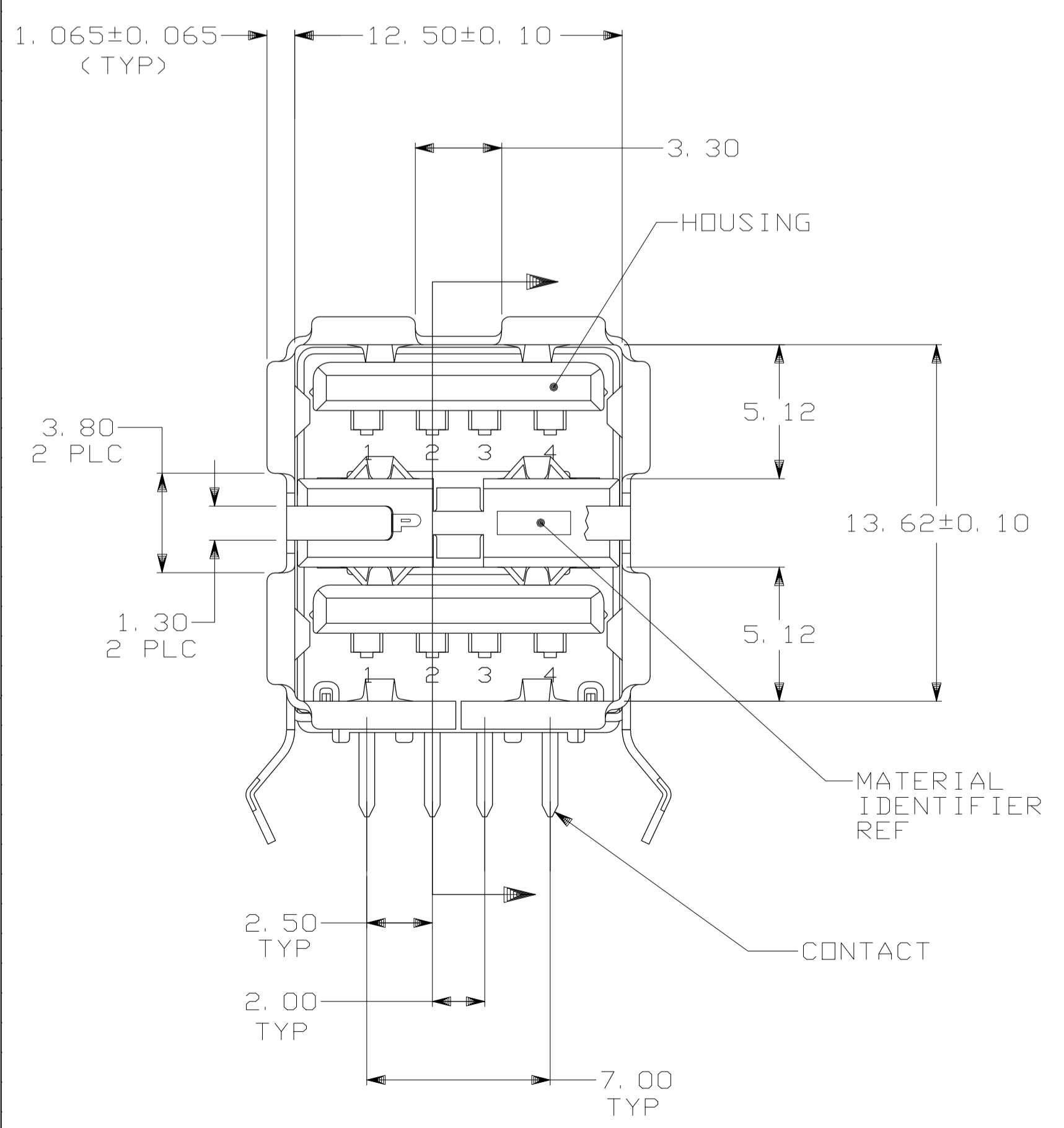


- ⚠ MATERIAL:
SHELL & CONTACTS- COPPER ALLOY.
HOUSING- UL 94V-0 RATED, THERMOPLASTIC, SEE TABLE.
- ⚠ PLATING:
CONTACTS- 0.076 MICROMETERS MINIMUM GOLD OVER 0.76 MICROMETERS MINIMUM PALLADIUM-NICKEL ON MATING AREA. OR CONTACT ALTRENATE PLATING 0.76 MICROMETERS MINIMUM GOLD ON MATING AREA.
3.80 MICROMETERS MINIMUM TIN ON SOLDER TAILS.
BOTH OVER 1.27 MICROMETERS MINIMUM NICKEL.
SHELL: 2~5μm THICK TIN
- ⚠ DATUM AND BASIC DIMENSIONS ESTABLISHED BY CUSTOMER.
- ⚠ RECOMMENDED PC BOARD THICKNESS OF 1.57.

LEAD FREE



YES	2.29±0.25	BLACK	5787745-5
YES	2.84±0.25	BLACK	5787745-4
NO	2.84±0.25	NATURAL	5787745-3
NO	2.29±0.25	BLACK	5787745-2
NO	2.84±0.25	BLACK	5787745-1
HIGH TEMPERATURE COMPATIBLE	D	HOUSING COLOR	PART NUMBER

THIS DRAWING IS A CONTROLLED DOCUMENT.		DIN	LEO ZHOU	26OCT2004	TE Connectivity
DIMENSIONS: mm		CHK	STEVEN YAO	26OCT2004	
TOLERANCES UNLESS OTHERWISE SPECIFIED:		APVD	LENOMOTO	26OCT2004	NAME
0 PLC ± - 1 PLC ± 0.35 2 PLC ± 0.25 3 PLC ± 0.15 4 PLC ± - 3° ANGLES ± - 3°		APPLICATION SPEC		RECEPTACLE ASSEMBLY, RIGHT ANGLE, STACKED, THRU-HOLE, USB	
MATERIAL		WEIGHT		SIZE	
FINISH		A1 00779		C=5787745	
CUSTOMER DRAWING		SCALE 1:1		SHEET 1 OF 1 REV A2	